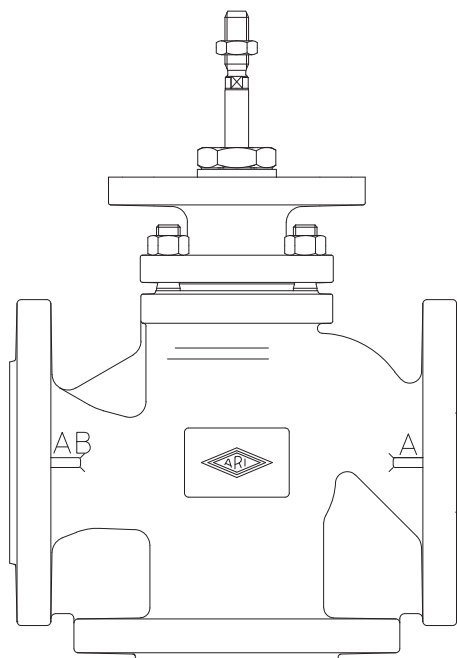


Operating and installation instructions

3-way control valves - STEVI[®] 453



Series 453

Contents

1.0 General information on operating instructions	2-2	6.0 Putting the valve into operation	2-6
2.0 Notes on possible dangers.....	2-2	7.0 Troubleshooting	2-6
2.1 Significance of symbols	2-2	8.0 Troubleshooting table	2-7
2.2 Explanatory notes on safety information	2-2	9.0 Dismantling the valve or the top part	2-8
3.0 Storage and transport	2-2	10.0 Warranty / Guarantee	2-8
4.0 Description	2-3		
4.1 Scope of applications	2-3		
4.2 Operating principles	2-3		
4.3 Diagram.....	2-3		
4.3.1 Design	2-3		
4.4 Technical data	2-4		
4.5 Marking	2-4		
5.0 Installation.....	2-4		
5.1 General notes on installation.....	2-4		
5.2 Requirements at the place of installation	2-5		
5.3 Installation instructions concerning actuators	2-5		

1.0 General information on operating instructions

These operating instructions provide information on mounting and maintaining the fittings. Please contact the supplier or the manufacturer in case of problems which cannot be solved by reference to the operating instructions.

They are binding on the transport, storage, installation, start-up, operation, maintenance and repair.

The notes and warnings must be observed and adhered to.

- Handling and all work must be carried out by expert personnel or all activities must be supervised and checked.

It is the owner's responsibility to define areas of responsibility and competence and to monitor the personnel.

- In addition, current regional safety requirements must be applied and observed when taking the fittings out of service as well as when maintaining and repairing them.

The manufacturer reserves the right to introduce technical modifications at any time.

These Operating Instructions comply with the requirements of EU Directives.

2.0 Notes on possible dangers

2.1 Significance of symbols



Warning of general danger.


2.2 Explanatory notes on safety information

In these Operating and Installation Instructions dangers, risks and items of safety information are highlighted to attract special attention.

Information marked with the above symbol and "**ATTENTION!**" describe practices, a failure to comply with which can result in serious injury or danger of death for users or third parties or in material damage to the system or the environment. It is vital to comply with these practices and to monitor compliance.

All other information not specifically emphasised such as transport, installation, operating and maintenance instructions as well as technical data (in the operating instructions, product documentation and on the device itself) must also be complied with to the fullest extent in order to avoid faults which in turn can cause serious injury to persons or damage to property.

3.0 Storage and transport

	<p>ATTENTION!</p> <ul style="list-style-type: none">- Protect against external force (like impact, vibration, etc.).- Valve mountings such as actuators, handwheels, hoods must not be used to take external forces, e.g. they are not designed for use as climbing aids, or as connecting points for lifting gear.- Suitable materials handling and lifting equipment should be used. <p>See catalog sheet for weights.</p>
---	---

- At -20°C to +65°C.

- The paint is a base coat to protect against corrosion during transportation and storage. Do not damage paint protection.

4.0 Description

4.1 Scope of applications

Valves are used for „controlling the flow of liquids, gases and vapours in chemical and other processing plants and for plant engineering“.



ATTENTION !

- Refer to the data sheet for applications, limits on use and possibilities.
- The valves are designed for standard operating conditions. If conditions exceed these requirements, e.g. aggressive or abrasive media, the operator should state the higher requirements when ordering.

The information complies to the Pressure Equipment Directive 97/23/EC.

It is the responsibility of the machine planner to ensure compliance.

The special markings on the valve must be taken into account.

Please contact the supplier or the manufacturer if you have any questions.

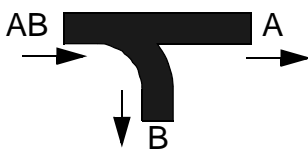
4.2 Operating principles

The control valves are especially suitable for actuation by pneumatic or electrical actuators.

The execution method is only to be employed with the operation of diverting.

Explanation:

Diverting operation



4.3 Diagram

4.3.1 Design

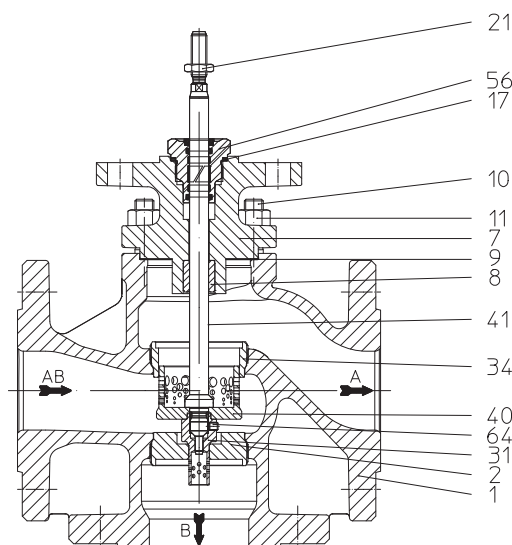


Fig. 1: Series 453 DN25-100

4.4 Technical data

for

- **Principal dimensions**

- **Pressure-temperature-ratings, etc.** refer to datasheet.

4.5 Marking

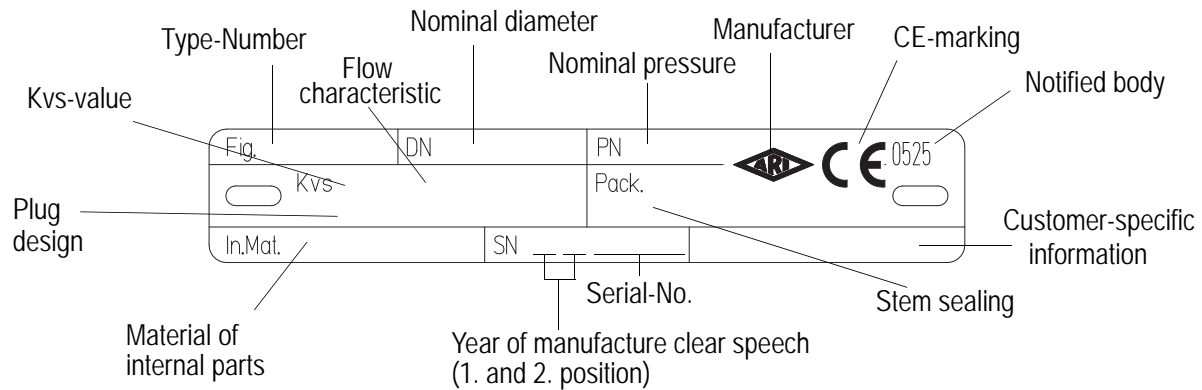


Fig. 2

Address of manufacturer: refer to item 10.0 Warranty / Guarantee

According to the Pressure Equipment Directive table 6, annex II, valves without safety function are only allowed to bear the CE-marking DN32 onwards.

5.0 Installation

5.1 General notes on installation

The following items should be taken into account besides the general principles governing installation work:



ATTENTION !

- Remove flange covers if present.
- The interior of valve and pipeline must be free from foreign particles.
- Note installation position with reference to flow, see mark on valve.
- Steam line systems should be designed to prevent water accumulation.
- Lay pipelines so that damaging transverse, bending and torsional forces are avoided.
- Protect valves from dirt during construction work.
- Connection flanges must mate exactly.
- Connecting bolts for pipe flanges should be mounted preferably from the counter flange side (hexagon nuts from the valve side).
At DN15-32: If valves should be mounted directly to valves, the upper flange connecting bolts should be preferably executed with studs and hexagon nuts on both sides.
- Valve mountings such as actuators, handwheels, hoods must not be used to take external forces, e.g. they are not designed for use as climbing aids, or as connecting points for lifting gear.
- Suitable materials handling and lifting equipment should be used.
Refer to data sheet for weights.
- Keep the thread and shaft of the stem free from paint.
- Centre gaskets between the flanges.
- Strainers or filters should be installed before the valves.

- Planners / construction companies or operators are responsible for positioning and installing products.
- The valves are designed for application, not influenced from weather.
- For application outside or in adverse environments like corrosion-promoting conditions (sea water, chemical vapours, etc.), special constructions or protective measures are recommended.

5.2 Requirements at the place of installation

The place of installation should be easily accessible and provide ample space for maintenance and removing the actuator. Stop valves should be installed before and behind the control valve to enable maintenance working without draining the piping system. The valve should preferably installed vertically with the actuator at the top. Inclined or horizontal installation without supports is permissible only with light actuators.

For this installation position, the two distance columns (or joke) have to be above each other in the vertical plane.

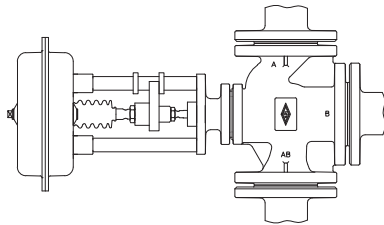


Fig. 3: Pipeline vertically

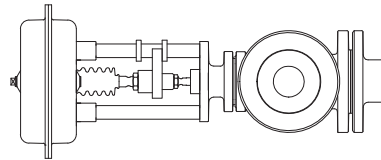


Fig. 4: Pipeline horizontally

Safe actuator weights for a horizontal installation position with reference to the stem, without structural support, are as follows:

- 20 kg for DN 25 - 32
- 25 kg for DN 40 - 65
- 35 kg for DN 80-100

The pipes must be lagged to protect the actuators from excessive heat. Sufficient space must be left for the maintenance of the stem packing.

To ensure that the control valves function correctly, the pipe run should be straight for at least 2 x DN upstream and 6 x DN downstream of the valve.

5.3 Installation instructions concerning actuators

Normally, control valves are supplied complete with actuator fitted.

It is not permitted to mantle / dismantle actuators with valves operating at service conditions (temperature and pressure) the actuators must be assembled as describe in the operating instructions during conversion and maintenance.

During assembly work, the plug is not be turned on its seating at closing pressure.



ATTENTION !

Care must be taken with the bellow type valves when actuators are mounted or removed. (Hold the valve-stem against turning with an open-end wrench!)

When retrofitting actuators, the maximum permissible force for valve actuation must be taken into account:

Series 453

- 12 kN for DN 25- 50
- 29 kN for DN 65-100

6.0 Putting the valve into operation



ATTENTION !

- Before putting the valve into operation, check material, pressure, temperature and direction of flow.
- Regional safety instructions must be adhered to.
- Residues in piping and valves (dirt, weld beads, etc.) inevitably lead to leakage.
- Touching the valve when it is operating at high ($> 50\text{ °C}$) or low ($< 0\text{ °C}$) media temperatures can cause injury.

Affix warning notice or protective insulation as appropriate!

Before putting a new plant into operation or restarting a plant after repairs or modification, always make sure that:

- All works has been completed!
- The valve is in the correct position for its function.
- Safety devices have been attached.

7.0 Troubleshooting

In the event of malfunction or faulty operating performance check that the installation and adjustment work has been carried out and completed in accordance with these Operating Instructions.




ATTENTION !

- It is essential that the safety regulations are observed when identifying faults.

If malfunctions cannot be eliminate with the help of the following table

“**9.0 Troubleshooting table**”, the supplier or manufacturer should be consulted.

8.0 Troubleshooting table

	<p>ATTENTION !</p> <p>- read item 9.0 and 10.0 prior to dismantling and repair work! - read item 6.0 before restarting the plant !</p>
---	---

Fault	Possible cause	Corrective measures
No flow	Valve closed	Open valve (using actuator)
	Flange covers not removed	Remove flange covers
Little flow	Valve not sufficiently open	Open valve (using actuator)
	Dirt sieve clogged	Clean / replace sieve
	Piping system clogged	Check piping system
	Kvs value of valve unsuitable	Fit valve with higher Kvs value
Stem moves in jerks.	Valve plug slightly seized owing to solid dirt particles	Clean internals, smooth rough spots.
Stem or plug cannot be moved.	Seating and plug clogged with dirt; especially with V-port and perforated plugs	Clean seating and plug with suitable solvent
	Valve plug seized in seating or guide owing to deposits or dirt in medium	Replace plug and seating; use parts made from different material if necessary
Stem leaking.	EPDM sealing damaged or worn	Replace ring pack
Leakage too high when valve is closed.	Sealing surfaces of plug eroded or worn	Replace plug
	Sealing edge of seating damages or worn	Replace seating
	Seating and/or plug dirty.	Clean internal parts of the valve
	Pneumatic actuator not completely vented; spring force not fully effective	Vent actuator air chamber completely
	Actuator not powerful enough	Install more powerful actuator; check service data
Stem "hammers".	Changed operating data	Check the valves' and actuators' design by a new calculation and proceed to adjust them if necessary.

9.0 Dismantling the valve or the top part



ATTENTION !

The following points must be observed:

- *Pressureless pipe system.*
- *Medium must be cool.*
- *Plant must be drained.*
- *Purge piping systems in case of caustic, inflammable, aggressive or toxic media.*

10.0 Warranty / Guarantee

The extent and period of warranty cover are specified in the "Standard Terms and Conditions of Albert Richter GmbH & Co. KG" valid at the time of delivery or, by way of departure, in the contract of sale itself.

We guarantee freedom of faults in compliance with state-of-the-art technology and the confirmed application.

No warranty claims can be made for any damage caused as the result of incorrect handling or disregard of operating and installation instructions, datasheets and relevant regulations.

This warranty also does not cover any damage which occurs during operation under conditions deviating from those laid down by specifications or other agreements.

Justified complaints will be eliminated by repair carried out by us or by a specialist appointed by us.

No claims will be accepted beyond the scope of this warranty. The right to replacement delivery is excluded.

The warranty shall not cover maintenance work, installation of external parts, design modifications or natural wear.

Any damage incurred during transport should not be reported to us but *rather* to the competent cargo-handling depot, the railway company or carrier company immediately or else claims for replacements from these companies will be invalidated.



Technology for the Future.

GERMAN QUALITY VALVES

ARI-Armaturen Albert Richter GmbH & Co. KG, D-33750 Schloß Holte-Stukenbrock

Telephone (+49 5207) 994-0 Telefax (+49 5207) 994-158 or 159

Internet: <http://www.ari-armaturen.com> E-mail: info.vertrieb@ari-armaturen.com